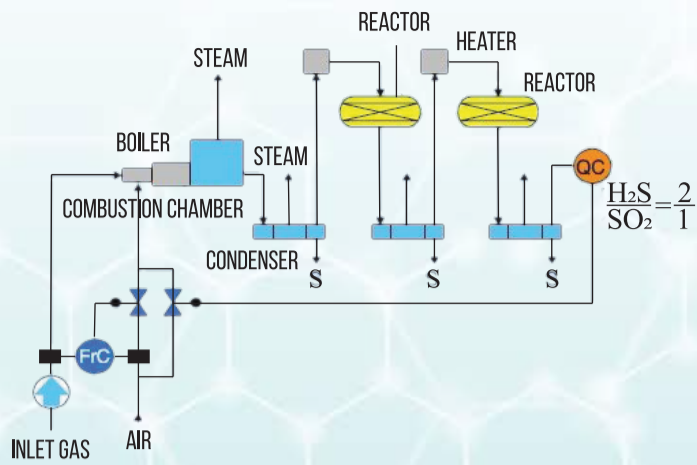


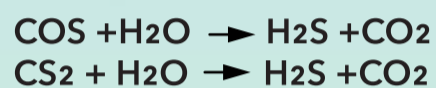
## CLAU PROCESS



Catalysts are applied at Claus sulfur recovery units for hydrogen sulfide removal from natural and industrial gases of different origin. Catalysts ensure high activity in main Claus reaction



as well as in conversion of organosulfur compounds (COS and CS<sub>2</sub>)



Katalizator JSC  
1 Tikhaya St, Novosibirsk 630058, Russia  
Tel: +7 (383) 306-62-76 | Fax: +7 (383) 306-62-72

[info@katcom.ru](mailto:info@katcom.ru) | [www.katcom.ru](http://www.katcom.ru)



## OUR SOLUTIONS FOR SULFUR REMOVAL

CLAU PROCESS FOR SULFUR RECOVERY

ALUMINA CATALYSTS  
AOK-78-59, AOK-78-61, AOK-75-33

### FEATURES & BENEFITS OF AOK-78-59

- High catalytic activity in main Claus reaction as well as in conversion of organosulfur compounds;
- High surface area and mechanical strength, improved porous structure;
- Minimum lifetime is 4 years;
- Over 14 years of commercial experience.

### FEATURES & BENEFITS OF AOK-78-61

- Intended to improve gas distribution in the reactors;
- Is also used as a Claus catalyst increasing the unit operational resource;
- Lower bulk density compared to the porcelain spheres;
- Over 8 years of manufacturing experience.

### FEATURES & BENEFITS OF AOK-75-33

- Applied in reactors of Claus sulfur recovery units to protect active bed alumina catalysts against sulfate poisoning (oxygen scavenger).
- High catalytic activity;
- Over 8 years of commercial experience.



### AOK-78-59 CHARACTERISTICS

Parameter	Standard	
	Grade A	Grade B
Appearance - Geometry - Color	Sphere	Cylinder
	White; shades of cream, pink and yellow are allowed	
Size, mm: - Diameter - Length	4.0-6.3 -	5±1 5-20

### AOK-78-61 CHARACTERISTICS

Parameter	Standard	
	Grade A	Grade A
Appearance - Geometry - Color	Spheres White; shades are allowed	
Size, mm, Diameter, mm	6-10	10-17

### AOK-75-33 CHARACTERISTICS

Parameter	Standard	
Appearance - Geometry - Color	Light yellow and brown spheres	
Size, mm, Diameter, mm	4.0 - 6.3	